

Figure. Modeled average carbon (C), nitrogen (N) and phosphorous (P) fluxes (arrows) and stocks (boxes) normalized to C, N and P components of primary production (stocks normalized to amount of primary production during 1 day) at Arabian Sea (AS), Equatorial Pacific (EQP) and Hawaii Ocean Time-series Station ALOHA (HOT). Red arrows: microbial loop, green arrows: major food web, blue arrows: physical transport including sinking detritus, yellow arrows: detritus production, dashed arrows: carbon respiration and refractory DOM production. Primary production is marked on top of each phytoplankton box. 1 unit C = 0.73 (AS), 0.87 (EQP) and 0.31 (HOT) $\text{mmol C m}^{-3} (\text{day}^{-1})$; 1 unit N = 0.10 (AS), 0.12 (EQP) and 0.047 (HOT) $\text{mmol C m}^{-3} (\text{day}^{-1})$; 1 unit P = 0.0096 (AS), 0.086 (EQP) and 0.0024 (HOT) $\text{mmol C m}^{-3} (\text{day}^{-1})$

Figure

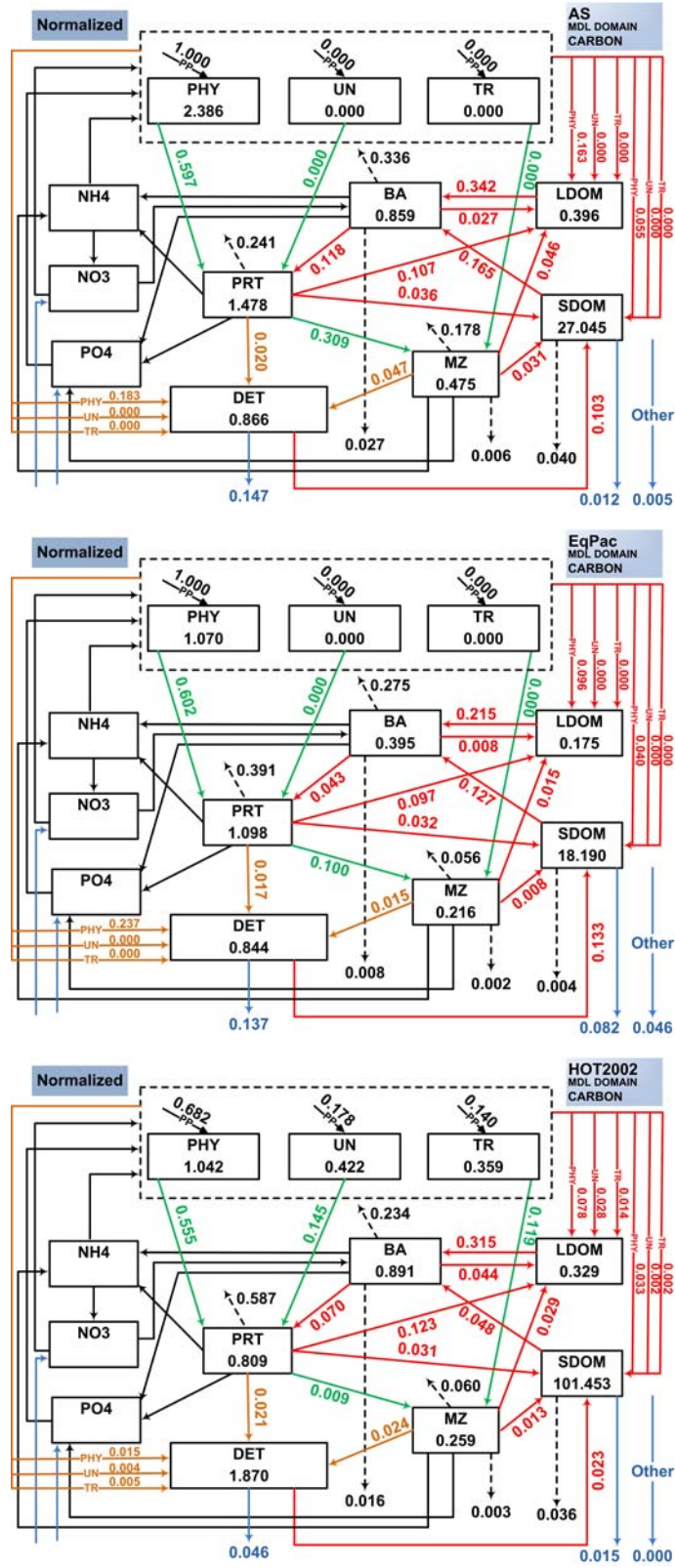


Figure Continued

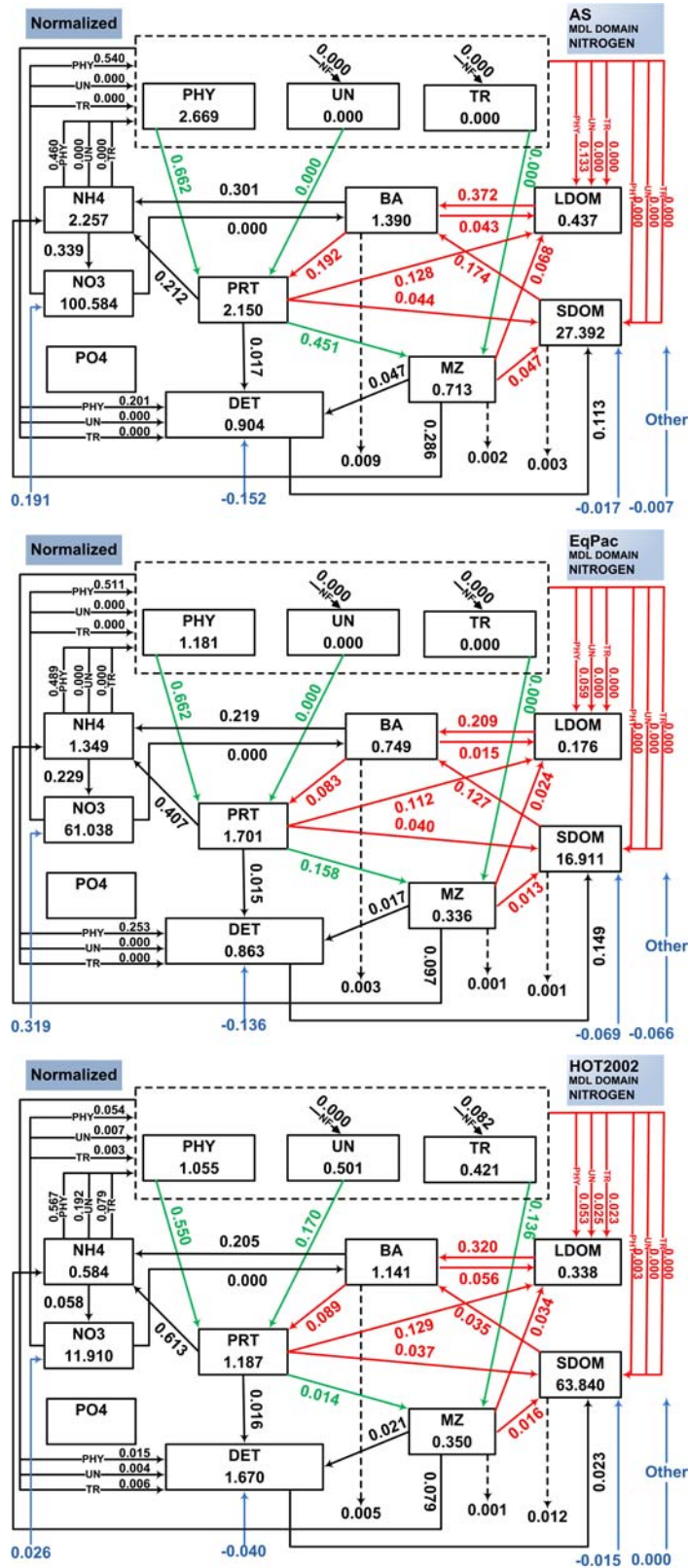


Figure Continued

